

ERBA

HİDROLİK PNÖMATİK

HİDROLİK SİLİNDİR KATALOĞU

FAALİYET ALANLARIMIZ

HİDROLİK & PNÖMATİK SİSTEMLER

- TALEPLERİNİZ DOĞRULTUSUNDA ÖZEL SİSTEM TASARIMLARI
- YERİNDE ARIZA TESPİTİ VE ÇÖZÜMLERİ
- HİDROLİK & PNÖMATİK EKİPMAN TEDARİĞİ
- BAKIM HİZMETLERİ
- AR-GE HİZMETLERİ
- HİDROLİK ÜNİTELER
- ÖZEL SİLİNDİR TASARIMLARI VE İMALATI

MERKEZİ YAĞLAMA SİSTEMLERİ

- SIVI YAĞLAMA SİSTEMLERİ
- SIVI GRES YAĞLAMA SİSTEMLERİ
- GRES YAĞLAMA SİSTEMLERİ

ENDÜSTRİYEL TESİSAT ÜRÜNLERİ

- GALVANİZ & SİYAH BORU VE BAĞLANTI ELEMANLARI
- PPRC BORU VE BAĞLANTI ELEMANLARI
- SARI BAĞLANTI ELEMANLARI
- VANA VE VALF GRUPLARI

HORTUMLAR

- HİDROLİK HORTUMLAR
- PNÖMATİK HORTUMLAR
- KAUÇUK, SİLİKON HORTUMLAR
- TEFLON HORTUMLAR
- PVC HORTUMLAR
- GENEL MAKSAT ENDÜSTRİYEL HORTUMLAR
- FLEXIBLE HORTUMLAR
- TERMOFLEX YÜKSEK ISI HORTUMLARI

ENDÜSTRİYEL YAĞLAMA ÜRÜNLERİ

- YÜKSEK ISI GRESLERİ
- CIVATA VE RULMAN SABİTLEYİCİLERİ
- TAMİR VE DOLGU MACUNLARI
- DELME-KESME SIVILARI
- ANAEROBİK YAPIŞTIRICILAR
- ÇİFT KOMPENANTLI YAPIŞTIRICILAR

SIZDIRMAZLIK ELEMANLARI

- O-RİNGLER, O-RİNG KİTLERİ
- X-RİNGLER, FİTİL RİNGLER
- NUTRINGLER, TOZ KEÇELERİ
- KOMPAKT SETLER, PACKINGLER
- BOĞAZ & PİSTON KEÇELERİ
- YAĞ KEÇELERİ
- HİDROMOTOR KEÇELERİ
- POMPA KEÇELERİ
- MEKANİK VE YUMUŞAK SALMASTRALAR
- DİELEKTRİK, KAUÇUK, PVC LEVHALAR
- KLİNGRİTLER, DİYAFRAMLAR, MANTAR PLAKALAR
- KAUÇUK, SÜNGER VE YAPIŞKANLI LAMALAR
- TALEPLERİNİZ DOĞRULTUSUNDA ÖZEL İMALATLAR

HIRDAVAT & TEKNİK MALZEMELER

- İZELTAŞ ÜRÜNLERİ
- EL ALETLERİ, ELEKTRİKLİ EL ALETLERİ
- CIVATA, SOMUN, GİJON, PUL, RONDELA
- SEGMAN, PİM, SETSKUR, VİDA ÇEŞİTLERİ
- MATKAP UÇLARI, PAFTALAR, KILAVUZLAR
- PANÇLAR
- KESİCİ VE AŞINDIRICI TAŞLAR
- İŞ ELDİVENLERİ, KORUYUCU EKİPMANLAR
- TAKIM SANDIKLARI, MENGENELER
- POLYESTER SAPANLAR
- STREÇ FİLM, BANT ÇEŞİTLERİ

ULTRASONİK CİHAZ İLE HAVA KAÇAK TESPİTİ

*Hidrolik Silindir ve Hidrolik Güç Ünitesi imalatlarımız
kendi atölyemizde yapılmaktadır.*



HAKKIMIZDA

İsim önemlidir; marka olabilmek, o ismin ağırlığını kaldırmak, gereklerini yerine getirebilmek daha da önemlidir. 19 Eylül 1986'da İzmir'in Konak ilçesinde zamanın imkanlarını, imkansızlıklarını en etkin şekilde değerlendirerek oluşturulan firmamız, 2020 senesinin Kasım ayında ERBA Hidrolik Pnömatik Bağlantı Elemanları Sanayi ve Ticaret Limited Şirketi olarak Torbalı'da yoluna devam etme kararı almıştır. 2021 senesinde de 1. Sanayideki eski yerini tekrardan faaliyete geçirmiştir. Geçmişten gelen değerlerine sahip çıkarken, yenilikçi bakış açısıyla birlikte endüstriyel çözüm ortağınız olma yolunda emin adımlarla ilerleyeceğimize söz veriyoruz.

MİSYONUMUZ

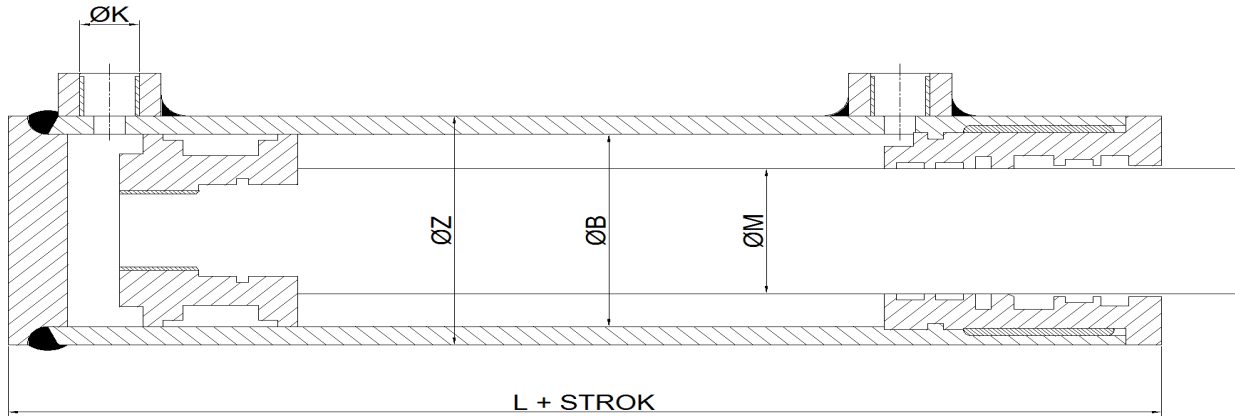
Sektörümüzdeki yeniliklerini takip ederek, müşteri ihtiyaçlarını en doğru şekilde belirleyip doğru ürün ve hizmeti sunmak birinci önceliğimizdir.

VİZYONUMUZ

Müşterilerimize çözüm odaklı ve kaliteli hizmet sunarak sektörün öncü firmalarından biri olmak...

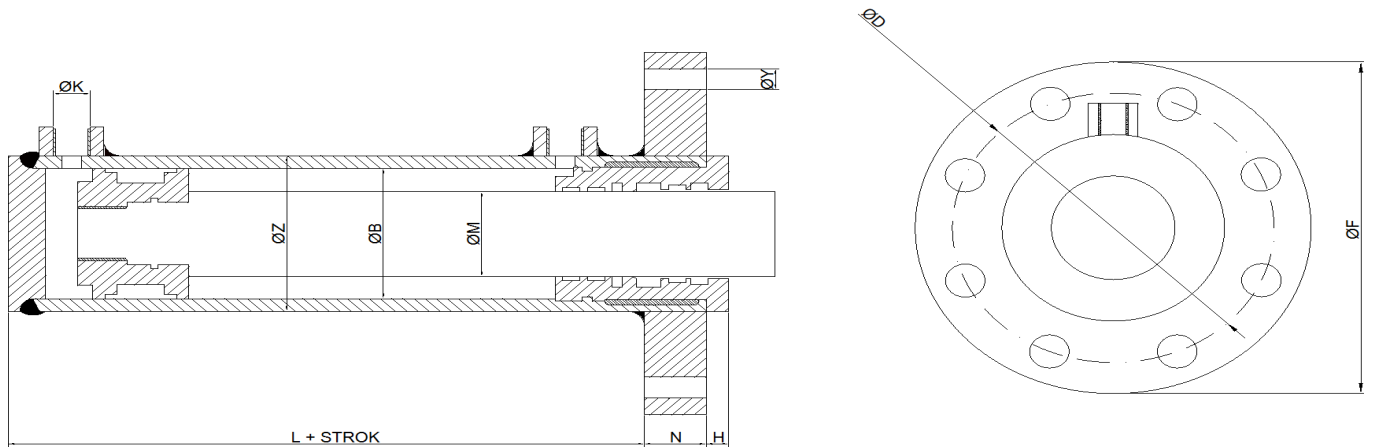
*Hidrolik & Pnömatik, Sızdırmazlık Elemanları
Hırdavat & Teknik Malzeme Konularında Çözüm Ortağınız...*

EHS01 - SİLİNDİR



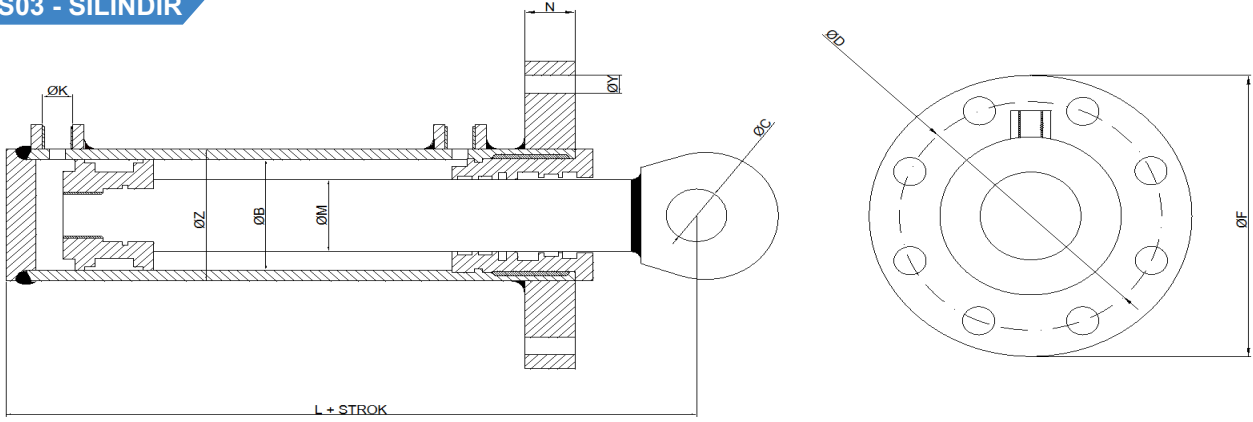
B	Ø40	Ø50	Ø63	Ø70	Ø80	Ø90	Ø100	Ø115	Ø125	Ø140	Ø160
M	20/25/28	25/28/30	35/40/45	40/45/50	40/45/50	50/60/65	50/60/70	65/70/80	70/80/90	80/90/100	90/100/110
Z	50	60	75	85	95	110	115	130	150	165	190
K	R3/8"	R3/8"	R1/2"	R1/2"	R1/2"	R1/2"	R1/2"	R1/2"	R3/4"	R3/4"	R3/4"
L	110	110	130	130	135	140	170	170	180	180	185

EHS02 - SİLİNDİR



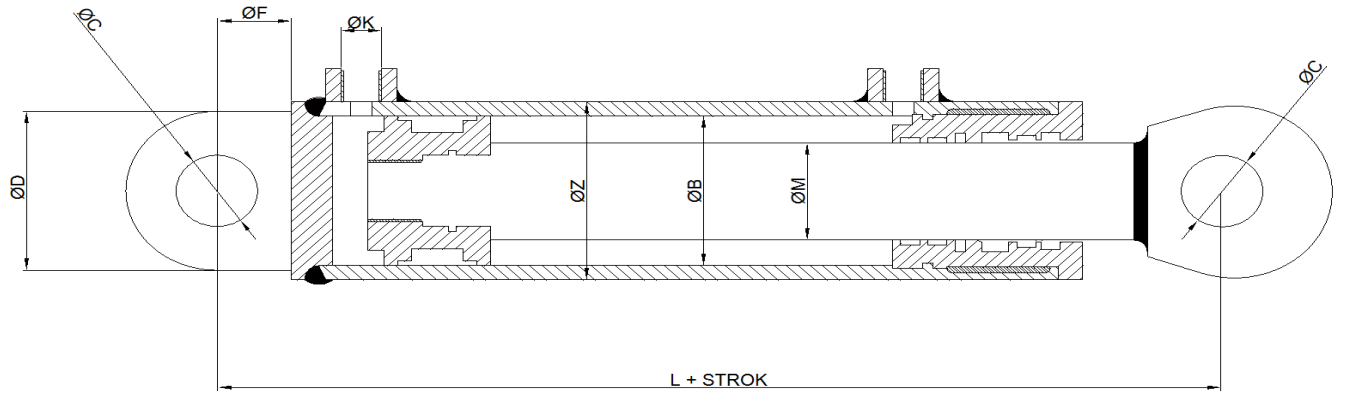
B	Ø40	Ø50	Ø63	Ø70	Ø80	Ø90	Ø100	Ø115	Ø125	Ø140	Ø160
M	20/25/28	25/28/30	35/40/45	40/45/50	40/45/50	50/60/65	50/60/70	65/70/80	70/80/90	80/90/100	90/100/110
Z	50	60	75	85	100	110	120	130	150	165	190
N	16	20	25	25	25	30	30	30	30	35	40
H	10	10	12	12	12	12	15	15	15	15	15
D	88	96	123	133	135	145	167	180	210	220	240
F	107	118	148	158	165	175	205	218	247	258	278
K	R3/8"	R3/8"	R1/2"	R1/2"	R1/2"	R1/2"	R1/2"	R1/2"	R3/4"	R3/4"	R3/4"
Y	9	9	13	13	17	17	22	22	22	22	22
L	84	80	93	93	98	98	125	125	135	130	130

EHS03 - SİLİNDİR



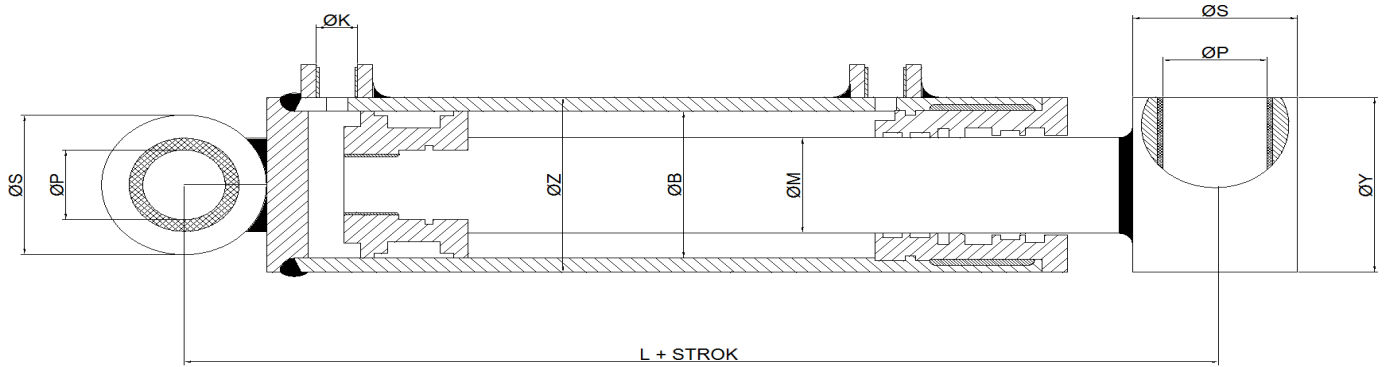
EHS-03	Ø40	Ø50	Ø63	Ø70	Ø80	Ø90	Ø100	Ø115	Ø125	Ø140	Ø160
M	20/25/28	25/28/30	35/40/45	40/45/50	40/45/50	50/60/65	50/60/70	65/70/80	70/80/90	80/90/100	90/100/110
Z	50	60	75	85	100	110	120	130	150	165	190
F	107	118	148	158	165	175	205	218	247	258	278
D	88	96	123	133	135	145	167	180	210	220	240
C	20	25	30	35	40	45	50	50	60	70	80
K	R3/8"	R3/8"	R1/2"	R1/2"	R1/2"	R1/2"	R1/2"	R1/2"	R3/4"	R3/4"	R3/4"
N	16	20	25	25	25	30	30	30	30	35	40
L	186	200	232	252	273	294	346	346	380	410	467

EHS04 - SİLİNDİR



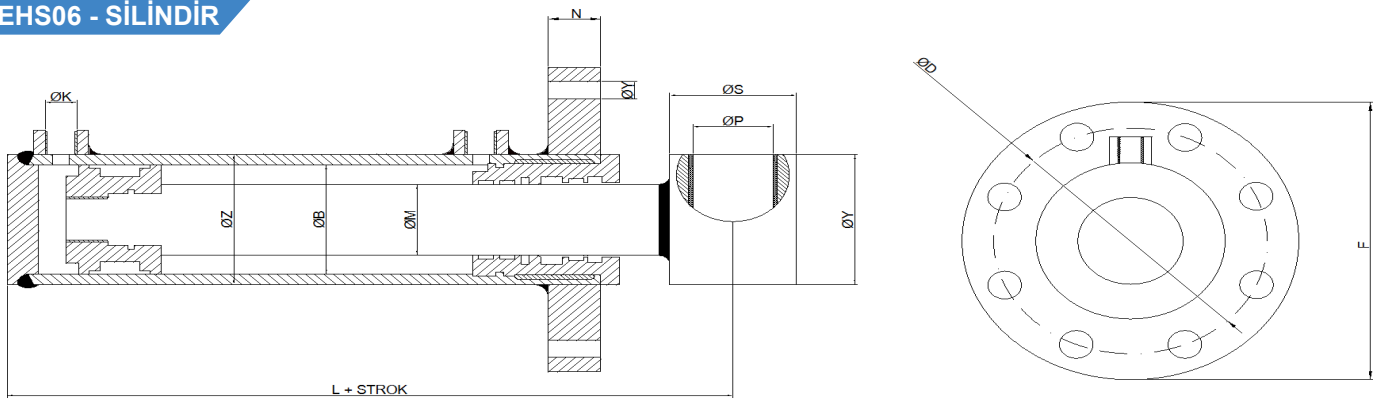
EHS-04	Ø40	Ø50	Ø63	Ø70	Ø80	Ø90	Ø100	Ø115	Ø125	Ø140	Ø160
M	20/25/28	25/28/30	35/40/45	40/45/50	40/45/50	50/60/65	50/60/70	65/70/80	70/80/90	80/90/100	90/100/110
Z	50	60	75	85	100	110	120	130	150	165	190
C	20	25	30	35	40	45	50	50	60	70	80
D	53	64	73	82	92	102	112	112	137	161	180
F	38	45	51	61	69	77	88	88	100	115	141
K	R3/8"	R3/8"	R1/2"	R1/2"	R1/2"	R1/2"	R1/2"	R1/2"	R3/4"	R3/4"	R3/4"
L	224	245	283	313	342	371	434	434	480	525	608

EHS05 - SİLİNDİR



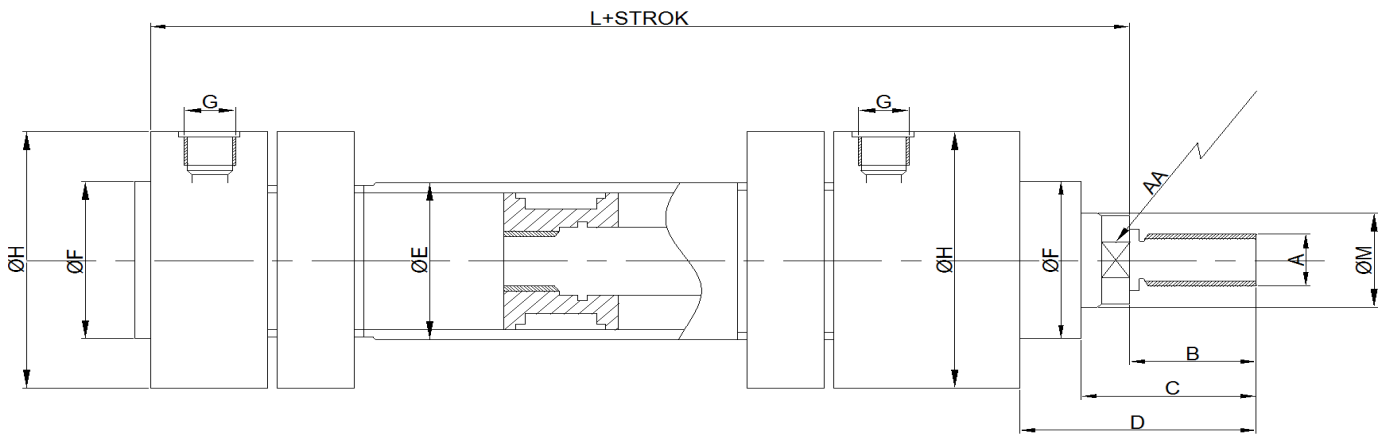
B	Ø40	Ø50	Ø63	Ø70	Ø80	Ø90	Ø100	Ø115	Ø125	Ø140	Ø160
M	20/25/28	25/28/30	35/40/45	40/45/50	40/45/50	50/60/65	50/60/70	65/70/80	70/80/90	80/90/100	90/100/110
Z	50	60	75	85	100	110	120	130	150	165	190
P	25	30	35	40	40	45	50	50	60	70	80
S	45	50	55	60	60	65	70	70	90	110	120
Y	60	70	85	95	105	110	120	130	140	150	160
K	R3/8"	R3/8"	R1/2"	R1/2"	R1/2"	R1/2"	R1/2"	R1/2"	R3/4"	R3/4"	R3/4"
L	193	205	236	251	264	282	328	328	370	405	446

EHS06 - SİLİNDİR



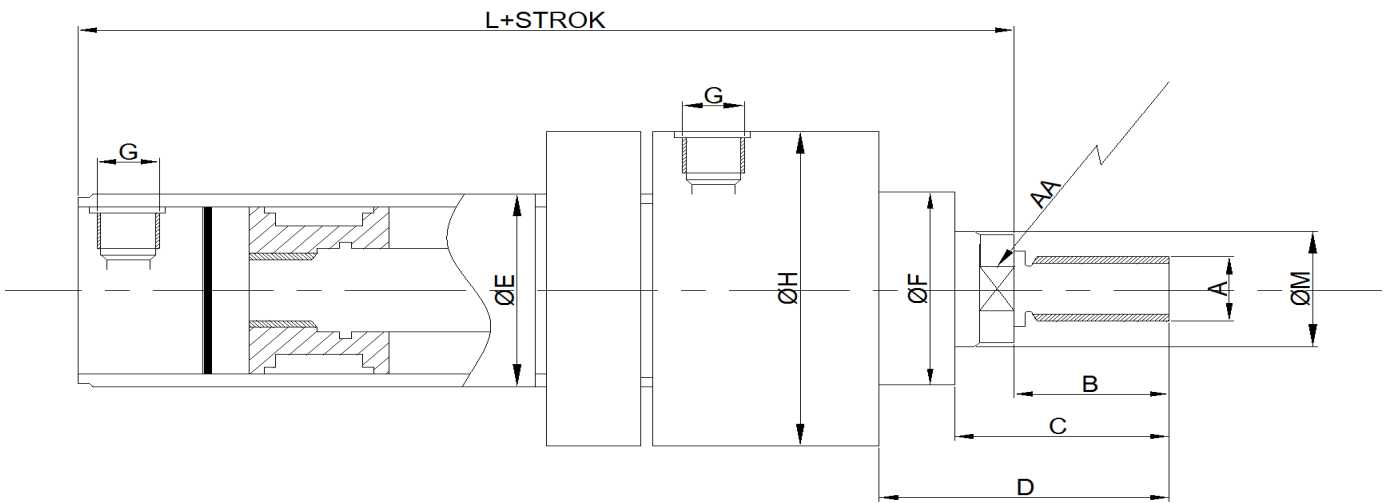
B	Ø40	Ø50	Ø63	Ø70	Ø80	Ø90	Ø100	Ø115	Ø125	Ø140	Ø160
M	20/25/28	25/28/30	35/40/45	40/45/50	40/45/50	50/60/65	50/60/70	65/70/80	70/80/90	80/90/100	90/100/110
Z	50	60	75	85	100	110	120	130	150	165	190
P	25	30	35	40	40	45	50	50	60	70	80
S	45	50	55	60	60	65	70	70	90	110	120
Y	60	70	85	95	105	110	120	130	140	150	160
K	R3/8"	R3/8"	R1/2"	R1/2"	R1/2"	R1/2"	R1/2"	R1/2"	R3/4"	R3/4"	R3/4"
L	193	205	236	251	264	282	328	328	370	405	446
F	107	118	148	158	165	175	205	218	247	258	278
D	88	96	123	133	135	145	167	180	210	220	240
N	16	20	25	25	25	30	30	30	30	35	40
Y	9	9	13	13	17	17	22	22	22	22	22

EHSC01 - SİLİNDİR



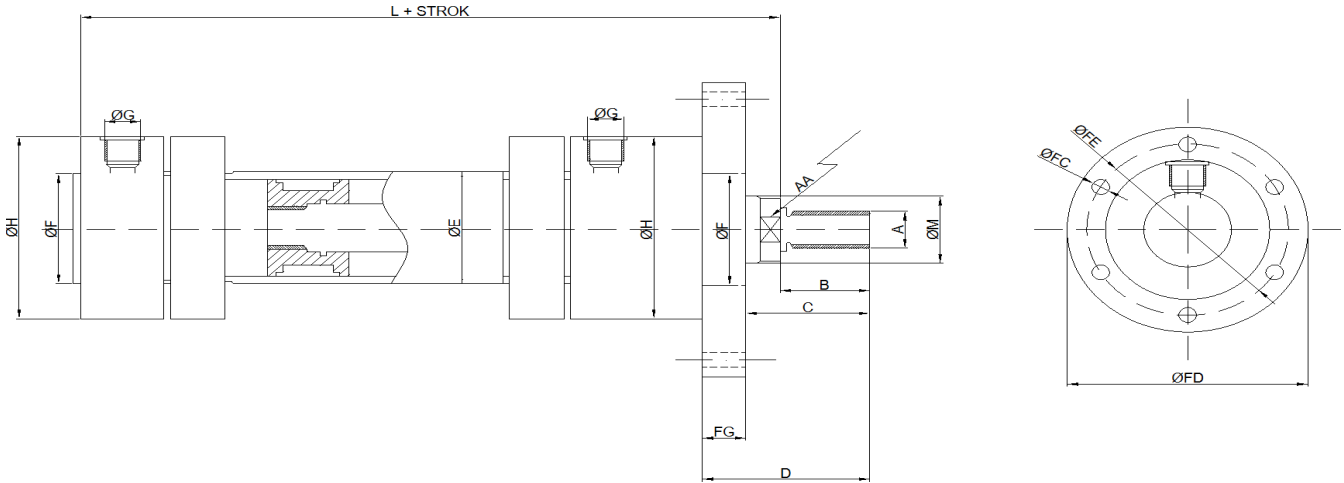
PİSTON	Ø40	Ø50	Ø63	Ø80	Ø100	Ø125	Ø140	Ø160	Ø180	Ø200
M	22/28	28/36	36/45	45/56	56/70	70/80	80/90	90/100	100/110	110/120
A	M16x1.5	M20x1.5	M27x2	M33x2	M42x2	M48x2	M56x2	M64x3	M72x3	M80x3
	M20x1.5	M27x2	M33x2	M42x2	M48x2	M56x2	M64x3	M72x3	M80x3	M85x3
AA	17/22	22/30	30/36	36/45	45/60	60/68	68/75	75/85	85/95	95/105
B	22/28	28/36	36/45	45/56	56/63	63/75	75/85	85/90	90/95	95/100
C	35/39	42/50	52/61	63/74	76/94	86/98	100/110	110/115	120/125	125/130
D	54	66	81	99	113	123	140	151	165	170
E	50	60	75	95	115	150	165	190	210	245
F	50	60	70	85	106	132	145	160	180	200
G	R3/8"	R1/2"	R1/2"	R1/2"	R3/4"	R3/4"	R3/4"	R1"	R1"	R1"
H	98	108	125	135	158	195	216	246	276	276
L	197	208	215	225	264	266	287	287	302	312

EHSC02 - SİLİNDİR



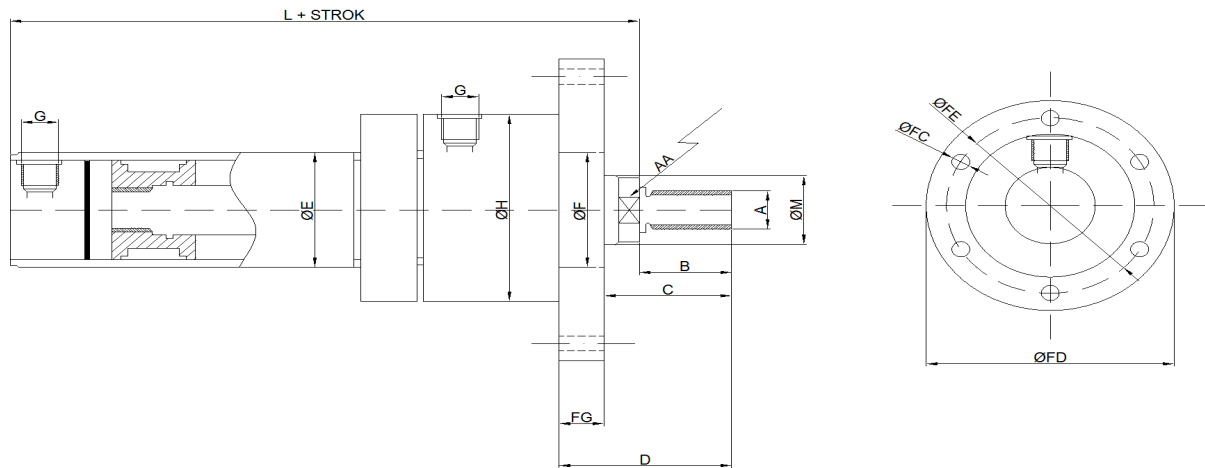
PISTON	Ø40	Ø50	Ø63	Ø80	Ø100	Ø125	Ø140	Ø160	Ø180	Ø200
M	22/28	28/36	36/45	45/56	56/70	70/80	80/90	90/100	100/110	110/120
A	M16x1.5	M20x1.5	M27x2	M33x2	M42x2	M48x2	M56x2	M64x3	M72x3	M80x3
	M20x1.5	M27x2	M33x2	M42x2	M48x2	M56x2	M64x3	M72x3	M80x3	M85x3
AA	17/22	22/30	30/36	36/45	45/60	60/68	68/75	75/85	85/95	95/105
B	22/28	28/36	36/45	45/56	56/63	63/75	75/85	85/90	90/95	95/100
C	35/39	42/50	52/61	63/74	76/94	86/98	100/110	110/115	120/125	125/130
D	54	66	81	99	113	123	140	151	165	170
E	50	60	75	95	115	150	165	190	210	245
F	50	60	70	85	106	132	145	160	180	200
G	R3/8"	R1/2"	R1/2"	R1/2"	R3/4"	R3/4"	R3/4"	R1"	R1"	R1"
H	98	108	125	135	158	195	216	246	276	276
L	182	183	190	196	225	227	242	242	257	267

EHSC03 - SİLİNDİR



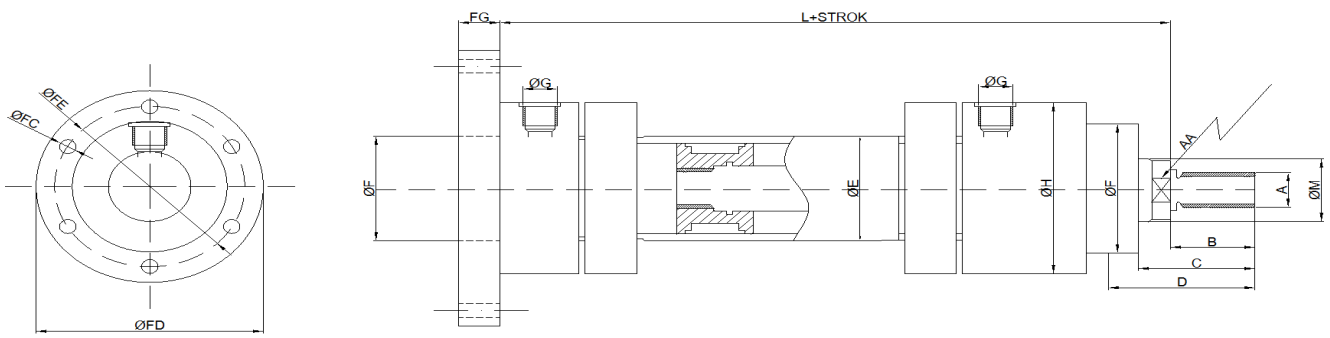
PISTON	$\varnothing 40$	$\varnothing 50$	$\varnothing 63$	$\varnothing 80$	$\varnothing 100$	$\varnothing 125$	$\varnothing 140$	$\varnothing 160$	$\varnothing 180$	$\varnothing 200$
M	22/28	28/36	36/45	45/56	56/70	70/80	80/90	90/100	100/110	110/120
A	M16x1.5	M20x1.5	M27x2	M33x2	M42x2	M48x2	M56x2	M64x3	M72x3	M80x3
	M20x1.5	M27x2	M33x2	M42x2	M48x2	M56x2	M64x3	M72x3	M80x3	M85x3
AA	17/22	22/30	30/36	36/45	45/60	60/68	68/75	75/85	85/95	95/105
B	22/28	28/36	36/45	45/56	56/63	63/75	75/85	85/90	90/95	95/100
C	35/39	42/50	52/61	63/74	76/94	86/98	100/110	110/115	120/125	125/130
D	54	66	81	99	113	123	140	151	165	170
E	50	60	75	95	115	150	165	190	210	245
F	50	60	70	85	106	132	145	160	185	200
FC	9	9	9	9	11	13	15	15	15	15
FD	150	160	175	185	215	280	300	325	350	355
FE	128	134	149	159	188	230	255	283	305	310
FG	20	20	20	20	30	30	30	40	40	40
G	R3/8"	R1/2"	R1/2"	R1/2"	R3/4"	R3/4"	R3/4"	R1"	R1"	R1"
H	98	108	125	135	158	195	216	246	276	276
L	197	208	215	225	264	266	287	287	302	312

EHSC04 - SİLİNDİR



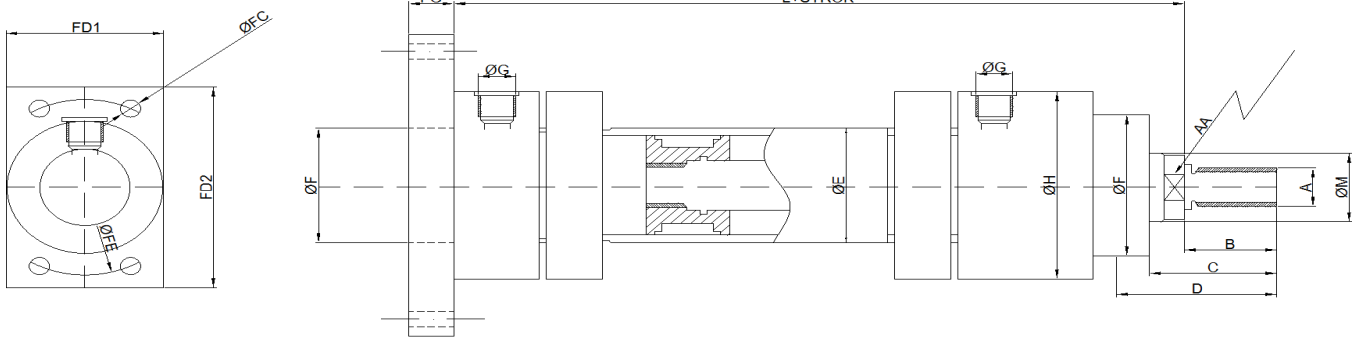
PİSTON	Ø40	Ø50	Ø63	Ø80	Ø100	Ø125	Ø140	Ø160	Ø180	Ø200
M	22/28	28/36	36/45	45/56	56/70	70/80	80/90	90/100	100/110	110/120
A	M16x1.5	M20x1.5	M27x2	M33x2	M42x2	M48x2	M56x2	M64x3	M72x3	M80x3
	M20x1.5	M27x2	M33x2	M42x2	M48x2	M56x2	M64x3	M72x3	M80x3	M85x3
AA	17/22	22/30	30/36	36/45	45/60	60/68	68/75	75/85	85/95	95/105
B	22/28	28/36	36/45	45/56	56/63	63/75	75/85	85/90	90/95	95/100
C	35/39	42/50	52/61	63/74	76/94	86/98	100/110	110/115	120/125	125/130
D	54	66	81	99	113	123	140	151	165	170
E	50	60	75	95	115	150	165	190	210	245
F	50	60	70	85	106	132	145	160	185	200
FC	9	9	9	9	11	13	15	15	15	15
FD	150	160	175	185	215	280	300	325	350	355
FE	128	134	149	159	188	230	255	283	305	310
FG	20	20	20	20	30	30	30	40	40	40
G	R3/8"	R1/2"	R1/2"	R1/2"	R3/4"	R3/4"	R3/4"	R1"	R1"	R1"
H	98	108	125	135	158	195	216	246	276	276
L	182	183	190	196	225	227	242	242	257	267

EHSC05 - SİLİNDİR



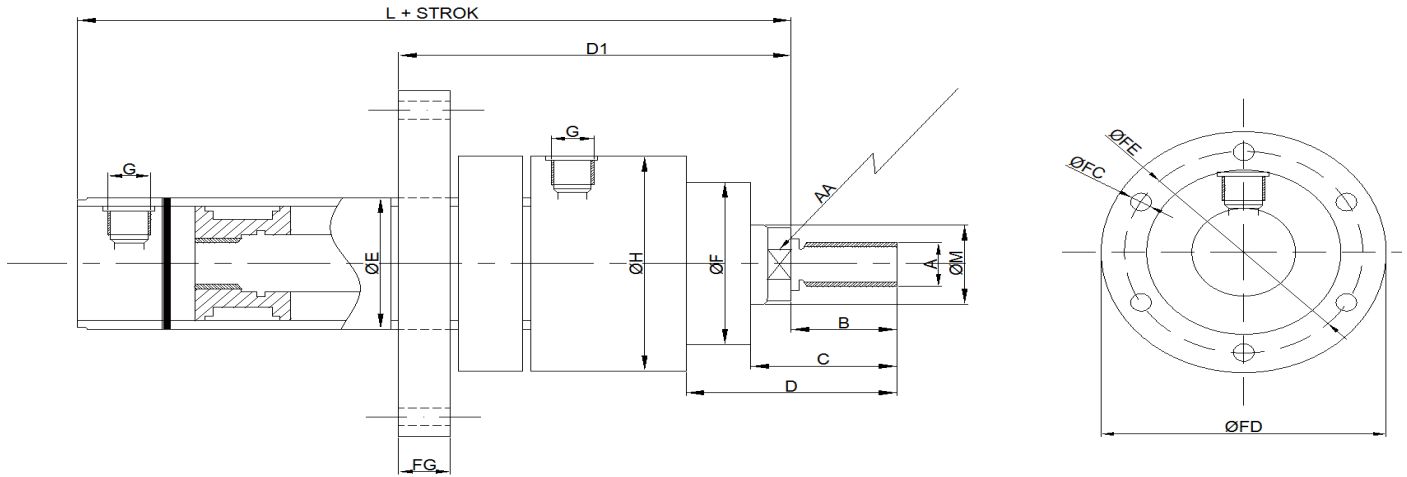
PİSTON	$\varnothing 40$	$\varnothing 50$	$\varnothing 63$	$\varnothing 80$	$\varnothing 100$	$\varnothing 125$	$\varnothing 140$	$\varnothing 160$	$\varnothing 180$	$\varnothing 200$
M	22/28	28/36	36/45	45/56	56/70	70/80	80/90	90/100	100/110	110/120
A	M16x1.5	M20x1.5	M27x2	M33x2	M42x2	M48x2	M56x2	M64x3	M72x3	M80x3
	M20x1.5	M27x2	M33x2	M42x2	M48x2	M56x2	M64x3	M72x3	M80x3	M85x3
AA	17/22	22/30	30/36	36/45	45/60	60/68	68/75	75/85	85/95	95/105
B	22/28	28/36	36/45	45/56	56/63	63/75	75/85	85/90	90/95	95/100
C	35/39	42/50	52/61	63/74	76/94	86/98	100/110	110/115	120/125	125/130
D	54	66	81	99	113	123	140	151	165	170
E	50	60	75	95	115	150	165	190	210	245
F	50	60	70	85	106	132	145	160	185	200
FC	9	9	9	9	11	13	15	15	15	15
FD	150	160	175	185	215	280	300	325	350	355
FE	128	134	149	159	188	230	255	283	305	310
FG	20	20	20	20	30	30	30	40	40	40
G	R3/8"	R1/2"	R1/2"	R1/2"	R3/4"	R3/4"	R3/4"	R1"	R1"	R1"
H	98	108	125	135	158	195	216	246	276	276
L	197	208	215	225	264	266	287	287	302	312

EHSC06 - SİLİNDİR



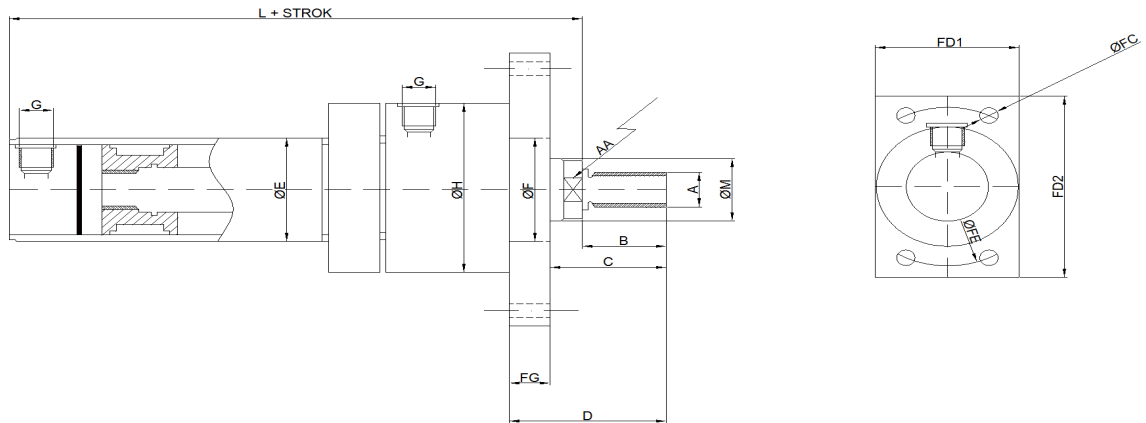
PİSTON	Ø40	Ø50	Ø63	Ø80	Ø100	Ø125	Ø140	Ø160	Ø180	Ø200
M	22/28	28/36	36/45	45/56	56/70	70/80	80/90	90/100	100/110	110/120
A	M16x1.5	M20x1.5	M27x2	M33x2	M42x2	M48x2	M56x2	M64x3	M72x3	M80x3
	M20x1.5	M27x2	M33x2	M42x2	M48x2	M56x2	M64x3	M72x3	M80x3	M85x3
AA	17/22	22/30	30/36	36/45	45/60	60/68	68/75	75/85	85/95	95/105
B	22/28	28/36	36/45	45/56	56/63	63/75	75/85	85/90	90/95	95/100
C	35/39	42/50	52/61	63/74	76/94	86/98	100/110	110/115	120/125	125/130
D	54	66	81	99	113	123	140	151	165	170
E	50	60	75	95	115	150	165	190	210	245
F	50	60	70	85	106	132	145	160	185	200
FC	9	9	9	9	11	13	15	15	15	15
FD	150	160	175	185	215	280	300	325	350	355
FE	128	134	149	159	188	230	255	283	305	310
FG	20	20	20	20	30	30	30	40	40	40
G	R3/8"	R1/2"	R1/2"	R1/2"	R3/4"	R3/4"	R3/4"	R1"	R1"	R1"
H	98	108	125	135	158	195	216	246	276	276
L	197	208	215	225	264	266	287	287	302	312
FD1	80	90	110	140	150	180				
FD2	115	140	160	182	220	252				

EHSC07 - SİLİNDİR



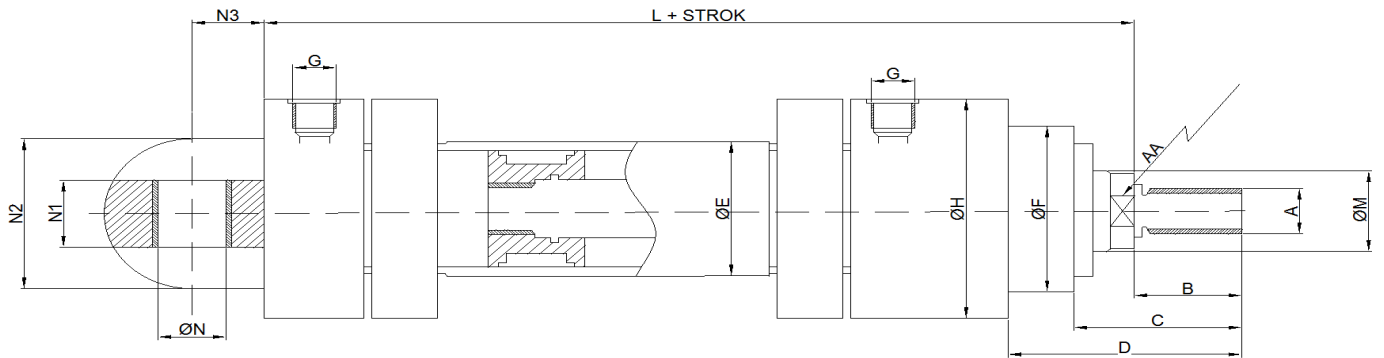
PİSTON	Ø40	Ø50	Ø63	Ø80	Ø100	Ø125	Ø140	Ø160	Ø180	Ø200
M	22/28	28/36	36/45	45/56	56/70	70/80	80/90	90/100	100/110	110/120
A	M16x1.5	M20x1.5	M27x2	M33x2	M42x2	M48x2	M56x2	M64x3	M72x3	M80x3
	M20x1.5	M27x2	M33x2	M42x2	M48x2	M56x2	M64x3	M72x3	M80x3	M85x3
AA	17/22	22/30	30/36	36/45	45/60	60/68	68/75	75/85	85/95	95/105
B	22/28	28/36	36/45	45/56	56/63	63/75	75/85	85/90	90/95	95/100
C	35/39	42/50	52/61	63/74	76/94	86/98	100/110	110/115	120/125	125/130
D	54	66	81	99	113	123	140	151	165	170
E	50	60	75	95	115	150	165	190	210	245
F	50	60	70	85	106	132	145	160	185	200
FC	9	9	9	9	11	13	15	15	15	15
FD	150	160	175	185	215	280	300	325	350	355
FE	128	134	149	159	188	230	255	283	305	310
FG	20	20	20	20	30	30	30	40	40	40
G	R3/8"	R1/2"	R1/2"	R1/2"	R3/4"	R3/4"	R3/4"	R1"	R1"	R1"
H	98	108	125	135	158	195	216	246	276	276
L	182	183	190	196	225	227	242	242	257	267

EHSC09 - SİLİNDİR



PİSTON	Ø40	Ø50	Ø63	Ø80	Ø100	Ø125	Ø140	Ø160	Ø180	Ø200
M	22/28	28/36	36/45	45/56	56/70	70/80	80/90	90/100	100/110	110/120
A	M16x1.5	M20x1.5	M27x2	M33x2	M42x2	M48x2	M56x2	M64x3	M72x3	M80x3
	M20x1.5	M27x2	M33x2	M42x2	M48x2	M56x2	M64x3	M72x3	M80x3	M85x3
AA	17/22	22/30	30/36	36/45	45/60	60/68	68/75	75/85	85/95	95/105
B	22/28	28/36	36/45	45/56	56/63	63/75	75/85	85/90	90/95	95/100
C	35/39	42/50	52/61	63/74	76/94	86/98	100/110	110/115	120/125	125/130
D	54	66	81	99	113	123	140	151	165	170
E	50	60	75	95	115	150	165	190	210	245
F	50	60	70	85	106	132	145	160	185	200
FC	9	9	9	9	11	13	15	15	15	15
FD	150	160	175	185	215	280	300	325	350	355
FE	128	134	149	159	188	230	255	283	305	310
FG	20	20	20	20	30	30	30	40	40	40
G	R3/8"	R1/2"	R1/2"	R1/2"	R3/4"	R3/4"	R3/4"	R1"	R1"	R1"
H	98	108	125	135	158	195	216	246	276	276
L	182	183	190	196	225	227	242	242	257	267
FD1	80	90	110	140	150	180				
FD2	115	140	160	182	220	252				

EHSC10 - SİLİNDİR



PİSTON	Ø40	Ø50	Ø63	Ø80	Ø100	Ø125	Ø140	Ø160	Ø180	Ø200
M	22/28	28/36	36/45	45/56	56/70	70/80	80/90	90/100	100/110	110/120
A	M16x1.5	M20x1.5	M27x2	M33x2	M42x2	M48x2	M56x2	M64x3	M72x3	M80x3
	M20x1.5	M27x2	M33x2	M42x2	M48x2	M56x2	M64x3	M72x3	M80x3	M85x3
AA	17/22	22/30	30/36	36/45	45/60	60/68	68/75	75/85	85/95	95/105
B	22/28	28/36	36/45	45/56	56/63	63/75	75/85	85/90	90/95	95/100
C	35/39	42/50	52/61	63/74	76/94	86/98	100/110	110/115	120/125	125/130
D	54	66	81	99	113	123	140	151	165	170
E	50	60	75	95	115	150	165	190	210	245
F	50	60	70	85	106	132	145	160	185	200
G	R3/8"	R1/2"	R1/2"	R1/2"	R3/4"	R3/4"	R3/4"	R1"	R1"	R1"
H	78	98	108	135	158	186	210	240	270	305
L	197	208	215	225	264	266	287	287	302	312
N	20	25	30	40	50	60	70	80	90	100
N1	19	23	28	35	40	50	55	60	65	70
N2	50	55	65	101	123	140	164	180	226	250
N3	38	45	51	69	88	100	115	141	150	170

A large area of the page is filled with horizontal dotted lines, providing a template for writing or drawing.

ERBA

HİDROLİK PNÖMATİK

Email: info@erbahp.com.tr



E - KATALOG



www.erbahp.com.tr

Mersinli Mah. 2824 Sokak
No:12-B 1. Sanayi Sitesi Konak/İZMİR
0 232 864 21 89 0 552 528 **3722**
ERBA

Kazım Karabekir Mah. Bekir Saydam Cad.
No:104/1 - 10 Pınar-Torbali/İZMİR
0 232 864 22 89 0 552 528 **3722**
ERBA

Mersinli Mah. 2824 Sokak No:12-A
1. Sanayi Sitesi Konak/İZMİR

ATÖLYE